

*Synchronized Time & Communication Systems*

## Clock Guards

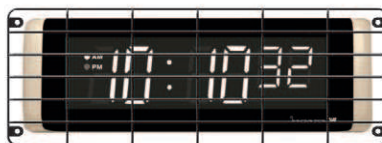
These sturdy, durable clock guards are the perfect solution for protection against theft or damage. Designed for use with both analog & digital clocks and easy to install.

**Analog Wire Guard - 16" (40.64 cm) x 16" (40.64 cm) Part # 104001**

**Analog Wire Guard - 19" (48.26cm) x 19" (48.26cm) Part # 104002**

**Digital Guard for 2.5" (6.35cm) 6 Digit Part # 104003**

**Digital Guard for 4" (10.16 cm) 4 Digit Part # 104004**



## Analog Clock Hanger Bracket & Retrofit Bracket

Add security and protection to all wall mounted analog clocks.

**Hanger Bracket Part # 105007**

**Hanger Bracket - Retrofit Part # 105008**



## Transmitter Shelf

This sturdy wall mounted metal shelf provides added security and stability

**Transmitter Shelf Part # 105001**



## Transmitter Rack Mount Bracket

Easy attachment to transmitter for convenient installation into most technology rack systems

**Transmitter Bracket Part # 105003**



## Battery Back-Up/Surge Protector

Provides back-up power protection for the **KRONOsync®** transmitter against electrical outages

**Battery Backup/Surge Protector Part # 105006**

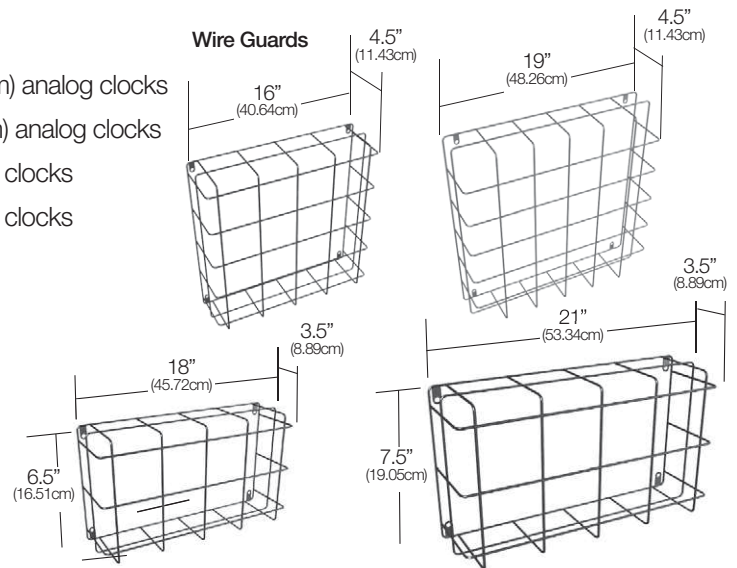


## Analog/Digital Clock Guard Specifications

- Durable Silver Plated Steel (Mounting hardware included)
- 16" x 16" (40.64cm x 40.64cm) Sq. size, used with 13" (33.02cm) analog clocks
- 19" x 19" (48.26cm x 48.26cm) Sq. size, used with 16" (40.64cm) analog clocks
- 18" x 6.5" (45.72cm x 16.51) size, used with 2.5" (6.35cm) digital clocks
- 21" x 7.5" (53.34cm x 19.05) size, used with 4" (10.16cm) digital clocks

### Dimensions:

- 13" Analog Clocks (33.02cm)
- 16" H x 16" W x 4.5" D (40.64cm H x 40.64cm W x 11.43cm D)
- 16" Analog Clocks (40.64cm)
- 19" H x 19" W x 4.5" D (48.26cm H x 48.26cm W x 11.46cm D)
- 2.5" Digital Clocks (6.35cm)
- 18" H x 6.5" W x 3.5" D (45.72cm H x 16.51cm W x 8.89cm D)
- 4" Digital Clocks (10.16cm)
- 21" H x 7.5" W x 3.5" D (53.34cm H x 19.05cm W x 8.89cm D)

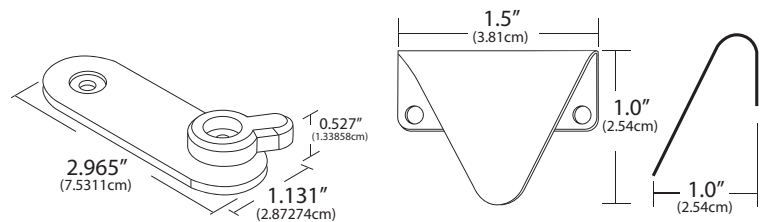


## Analog Clock Hanger Brackets

- Analog Clock Hanger Bracket
- (ABS Construction)
- Retrofit Bracket
- (Steel Construction)

**Dimensions:** 2.96" L x 1.13" W x 0.52" H  
(7.5184cm L x 2.8702cm W x 1.3208cm H)

**Dimensions:** 1" L x 1.5" W x 1" H (2.54cm L x 3.81cm W x 2.54cm H)



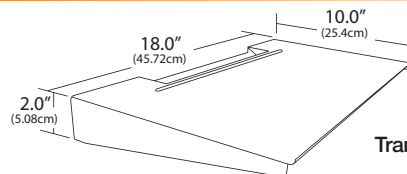
Analog Clock Hanger Bracket

Retrofit Bracket

## Transmitter Shelf

- Sturdy Steel Construction
- Durable Black Epoxy Finish

**Dimensions:** 18" L x 10" W x 2" H (45.72cm L x 25.4cm W x 5.08cm H)

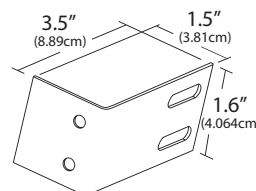


Transmitter Shelf

## Transmitter Rack Mount Bracket

- Sturdy Steel Construction

**Dimensions:** 3.5" L x 1.5" D x 1.6" H (8.89cm L x 3.81cm D x 4.064cm H)



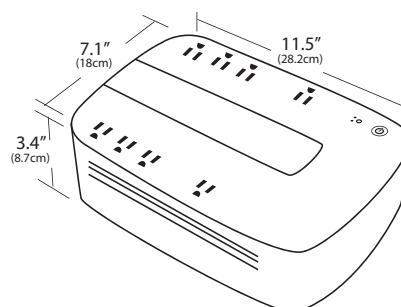
Transmitter Rack Mount Bracket

## Battery Back-Up/Surge Protector

- Output Capacity: 550VA/350 Watts
- Output (Voltage/Frequency): 115V/60Hz
- Outlets: 8 (4 battery backup with surge protection, 4 with surge-only protection)
- USB Cable included
- Surge Protection: 1 line (2 wire) Tel/Fax/Modem/DSL

**Dimensions:** 3.4" H x 11.5" W x 7.1" D (8.7cm H x 28.2cm W x 18cm D)

**Weight:** 12.4 lbs.



Surge Protector