

Add decorative style within your facility. Solid wood clocks are the perfect look for your Executive/Administration offices and conference rooms. Offered in rich looking Mahogany, Walnut, and Natural, complimented with either Arabic or Roman dials.



13" Mahogany **Part # 410103**

AVAILABLE WOOD COLORS



SEE PART NUMBER
DATA SHEET FOR ALL COLORS
AND SIZES AVAILABLE

Features:

- Solid Hard Wood Construction
- Glass Lens
- Elegant Appearance
- Battery Operated (2 D-Cell)
- Maintenance Free



13" Walnut **Part # 410104**
16" Walnut **Part # 420104**



13" Side View



16" Natural **Part # 420105**
13" Natural **Part # 410105**



16" Mahogany **Part # 420103**

DIAL OPTIONS

Additional Custom Logo Designs Available



Antique Arabic Classic **Part # AA00**



Antique Arabic 12/60 **Part # AA60**



Antique Roman 12/60 **Part # AR60**



Antique Roman 12/24 **Part # AR24**

13" Wood Clock Specifications

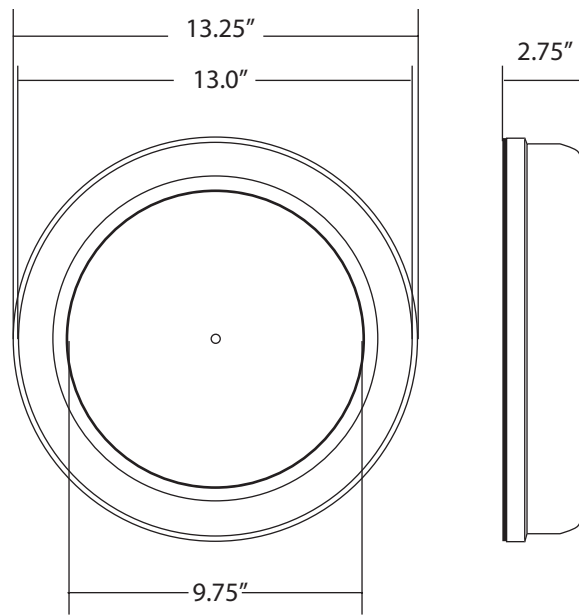
- Solid Hard Wood Construction
- Glass Lens
- Elegant Appearance
- Battery Operated (2 D-Cell)
- Maintenance Free

Rear Case Diameter: 13.25"

Front Case Diameter: 13.0"

Dial Graphics Diameter: 9.75"

Edge Thickness: 2.75"



16" Wood Clock Specifications

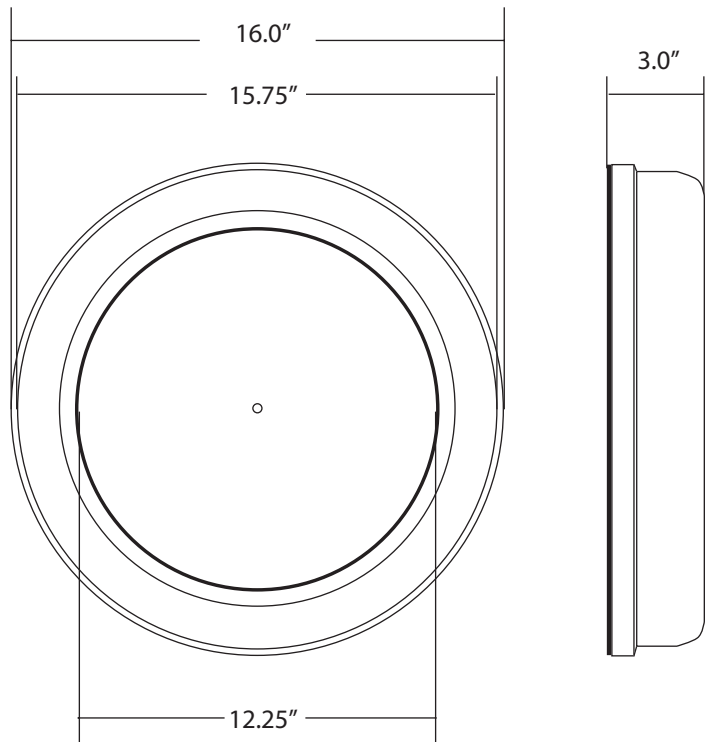
- Solid Hard Wood Construction
- Glass Lens
- Elegant Appearance
- Battery Operated (2 D-Cell)
- Maintenance Free

Rear Case Diameter: 16.0"

Front Case Diameter: 15.75"

Dial Graphics Diameter: 12.25"

Edge Thickness: 3.0"



13" and 16" Rear View

