

This multifunction digital clock/timer provides your facility with a count-up/count-down feature. Available in 2.5" 6-digit, Red or White LED. A switch control allows user to operate the timer in multiple modes. When not in timer mode, it functions as a synchronized clock. A perfect choice for your precision timekeeping needs!

FRONT



2.5" 6 Digit Red LED Timer



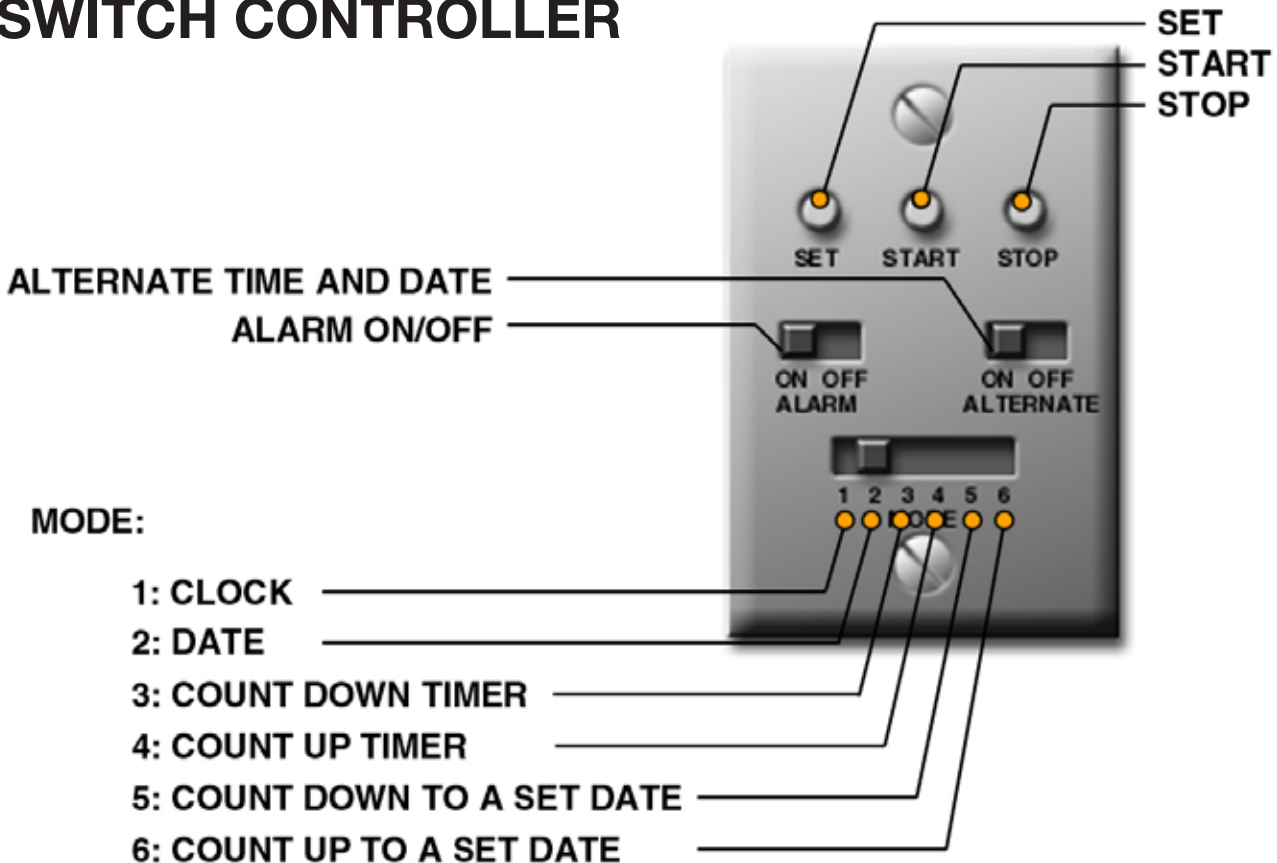
2.5" 6 Digit White LED Timer

Features:

- Modern, Contoured Style
- Easy to read, Anti-glare LED Display
- Count down timer mode displays time remaining
- Count up timer mode displays elapsed time
- Switch control to operate in multiple modes
- Audible alarm at the end of timer mode
- 12/24 hr. clock display when not in timer mode



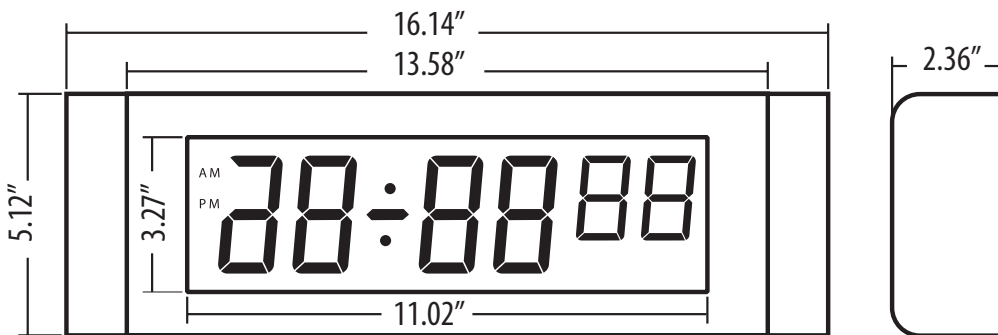
SWITCH CONTROLLER



Digital Countdown Timer Specifications

- Alternating Time and Date (self adjustable)
- Adjustable Brightness (dimming)
- 120 VAC or 24 VAC
- Multi-functional: Count-Up or Count-Down Timer Option, Digital Clock
- Highly viewable six digit LED display shows hours, minutes and seconds.
- Count down timer mode displays time remaining
- Count up timer mode displays elapsed time

2.5" 6 Digit LED Countdown Timer



Switch Control Specifications

- Allows user to set, start or stop the timer
- Designed to fit inside a single gang box (not included)
- Wall plate cover is aluminum
- Cable connector is a standard network cable (not included)

Dimensions: 4.5" H x 2.75" W x 2" D

