

Standard analog clocks offer the perfect solution for many new and retrofit applications. Our most economical selection are available in several different styles.

Wall Mount



16" Black Standard
- Battery -
Part # 220001



13" Black Standard
- Battery -
Part # 210001

Double Sided



13" Black Double Sided Wall Mount
- Battery -
Part # 210021

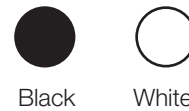


13" Black Double Sided Ceiling Mount
- Battery -
Part # 210011

Features:

- Heavy Duty Construction
- Durable ABS Casing
- Polycarbonate Lens (shatter resistant)
- Battery (2 D-Cell) or Electric 120/24 VAC
- Maintenance Free

AVAILABLE CASE COLORS



Also available in
Electric



SEE PART NUMBER
DATA SHEET FOR ALL OPTIONS
AVAILABLE

DIAL OPTIONS

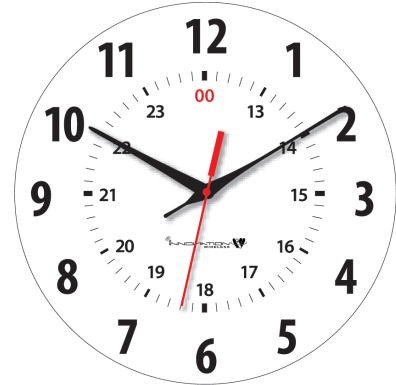
Additional Custom Logo Designs Available



Standard Arabic 12/60 Part # SA60



Classic Arabic Part # CA00



Standard Arabic 12/24 Part # SA24



13" Standard Clock Specifications

- Heavy Duty Construction
- Durable ABS Casing
- Polycarbonate Lens (shatter resistant)
- Battery (2 D-Cell) or Electric 120/24 VAC
- Maintenance Free

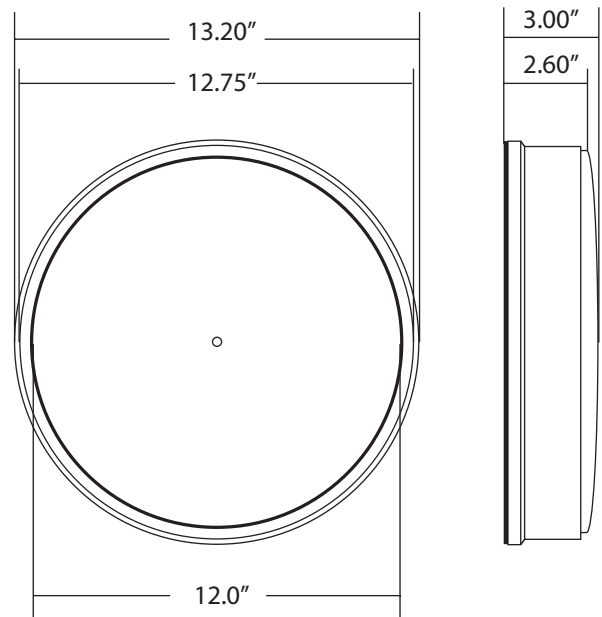
Rear Case Diameter: 13.20"

Front Case Diameter: 12.75"

Dial Graphics Diameter: 12.0"

Edge Thickness: 2.60"

Center Thickness: 3.0"



16" Standard Clock Specifications

- Heavy Duty Construction
- Durable ABS Casing
- Polycarbonate Lens (shatter resistant)
- Battery (2 D-Cell) or Electric 120/24 VAC
- Maintenance Free

Rear Case Diameter: 16.0"

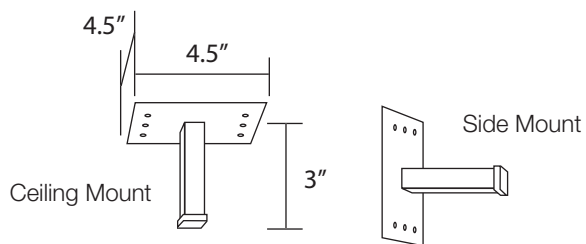
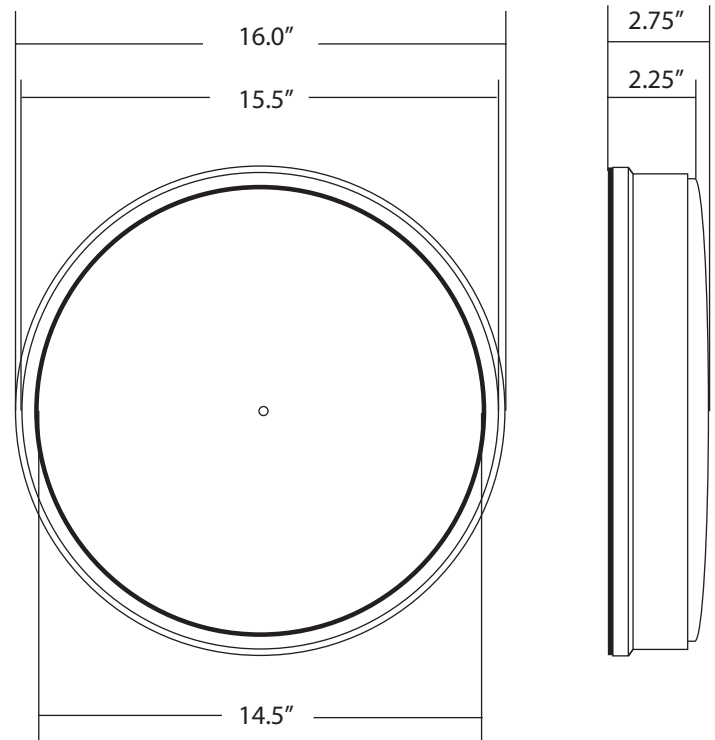
Front Case Diameter: 15.5"

Dial Graphics Diameter: 14.5"

Edge Thickness: 2.25"

Center Thickness: 2.75"

Ceiling and Side Mount Dimensions: 3" H x 4.5" D



13" and 16" Rear View

