

The future of Wireless Time Synchronization is here, with the powerful **KRONOsync** 467MHz Transmitter. Small, light, and maintenance free, this simplistic “Plug and Play” system is the perfect solution for providing correct time throughout buildings and facilities of various sizes and applications.



- Transmitter **Part # 101005**
- Transmitter - High Power **Part # 101005X**
(Includes External Antenna)
- Repeater **Part # 101006**

* Repeater provides additional coverage in applications where enhanced signaling is necessary.

Includes: Transmitter, Antenna, GPS or NTP Receiver, AC Power Supply, **3 year warranty**, Rack Mount Bracket (optional).



See reverse side for specifications.

Features:

- GPS/NTP Time Synchronization
- Sleek, Stylish, Compact
- 467 MHz Frequency
- Non-Volatile Memory
- 10 Selectable Channels
- Pre-Programmed Time Zones
- LCD Time/Day/Date/Year Display
- GPS/NTP Signal Verification
- Automatically Adjusts for DST and After Power Outages
- Simplistic 2 Button Operation
- Small 7” Rear Mounted Antenna
- Maintenance Free

Transmitter Specifications

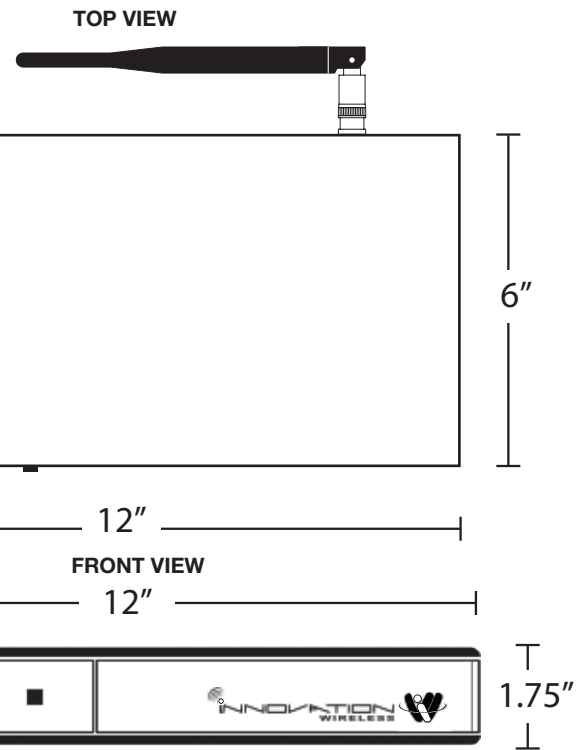
- FCC Part 90 Approved
- 5 watt transmitter
- 467 MHz frequency
- 10 selectively available channels
- Daylight saving time (DST) pre-programmed
- Time Zone pre-set
- LCD display for time, date, year, power, time zone and signal reception
- GPS/NTP Signal Verification
- Maintenance Free

Dimensions: 12" L x 6" W x 1.75" H

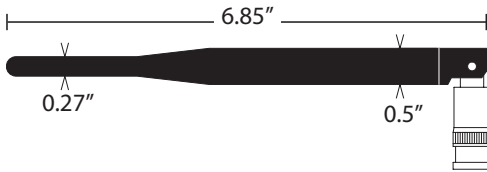
Weight: 2 lbs

Power Supply: Std 120 VAC

Operating Range: 32° - 158° F



Antenna Specifications



Dimensions: 6.85" H x 0.5" W x .027" W (tip)

Material: ABS Construction

External Antenna

- Band: 2m/70cm
- Gain (dB): 4.5/7.2
- Max Power Rating: 200
- Wind Rating: 135 MPH (no ice)
- Height (feet): 5.6
- Connector: UHF
- Element Phasing: 3-1/4I, 3-5/8I
- DC grounded



GPS/NTP Receiver Specifications

Included with **KRONOsync** Transmitter

- 15' cable attached with GPS Receiver
- 20" LAN cable included with NTP Receiver
- Mounting bracket included for GPS receiver roof mount, side wall, or window installation
- Maintenance Free

NTP Dimensions: 2.75" W x 3 6/8" D x 1" H

Weight: 0.40lb. **Operating Range:** - 15° - 122° F

GPS Dimensions: 2.5" W x .75" H

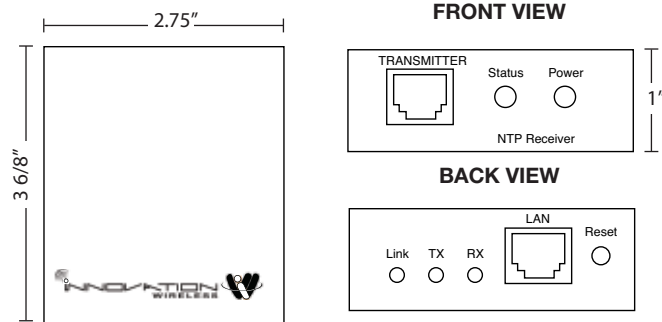
Weight: 0.75lb. **Operating Range:** - 32° - 158° F

- Additional Extension Cables of **25', 50'** and **100'** (not included)

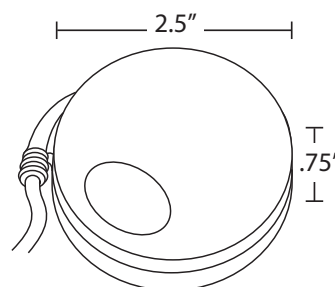
25' Cable **Part # 106025**

50' Cable **Part # 106050**

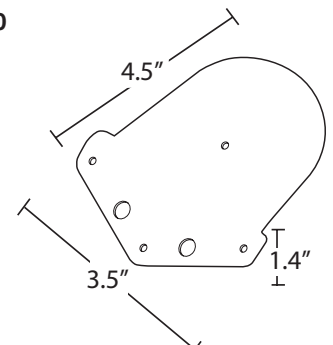
100' Cable **Part # 106100**



NTP Receiver **Part #105010**



GPS Receiver **Part # 105004**



GPS LAN Receiver Bracket **Part # 105005**