

With an innovative design, these Digital display clocks offer a high level of performance, quality and reliability. Available in 2.5" and 4" characters, Red or White LED, with AM/PM indicator. The perfect solution for satisfying digital clock needs in all types of facilities

• Digital Display Single Sided



2.5" 6 Digit Red LED



4" 4 Digit White LED

• Digital Display Dual Sided Wall Mount



2.5" 6 Digit Red LED



4" 4 Digit White LED

• Digital Display Dual Ceiling Mount



2.5" 6 Digit Red LED



4" 4 Digit White LED

Features:

- Sleek, Contoured Style
- Clear Anti-glare LED Display
- AM/PM Indicator
- Alternating Time and Date (self adjustable)
- 12/24 hr. Display Format
- Adjustable Brightness (dimming)
- 120 VAC or 24 VAC
- Maintenance Free



Digital Display Single Sided

2.5" 6 Digit Red LED, 120 VAC	Part # 632307
2.5" 6 Digit Red LED, 24 VAC	Part # 631307
2.5" 6 Digit White LED, 120 VAC	Part # 632302
2.5" 6 Digit White LED, 24 VAC	Part # 631302
4" 4 Digit Red LED, 120 VAC	Part # 642307
4" 4 Digit Red LED, 24 VAC	Part # 641307
4" 4 Digit White LED, 120 VAC	Part # 642302
4" 4 Digit White LED, 24 VAC	Part # 641302

Digital Display Dual Sided Wall Mount

2.5" 6 Digit Red LED, 120 VAC	Part # 632327
2.5" 6 Digit Red LED, 24 VAC	Part # 631327
2.5" 6 Digit White LED, 120 VAC	Part # 632322
2.5" 6 Digit White LED, 24 VAC	Part # 631322
4" 4 Digit Red LED, 120 VAC	Part # 642327
4" 4 Digit Red LED, 24 VAC	Part # 641327
4" 4 Digit White LED, 120 VAC	Part # 642322
4" 4 Digit White LED, 24 VAC	Part # 641322

Digital Display Dual Ceiling Mount

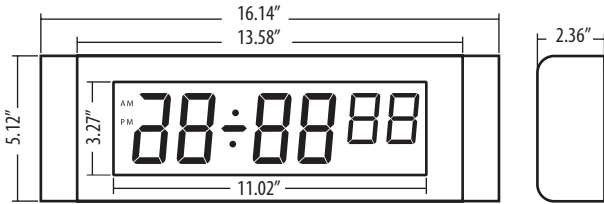
2.5" 6 Digit White LED, 120 VAC	Part # 632312
2.5" 6 Digit White LED, 24 VAC	Part # 631312
2.5" 6 Digit Red LED, 120 VAC	Part # 632317
2.5" 6 Digit Red LED, 24 VAC	Part # 631317
4" 4 Digit White LED, 120 VAC	Part # 642312
4" 4 Digit White LED, 24 VAC	Part # 641312
4" 4 Digit Red LED, 120 VAC	Part # 642317
4" 4 Digit Red LED, 24 VAC	Part # 641317

Digital Display Clock Specifications

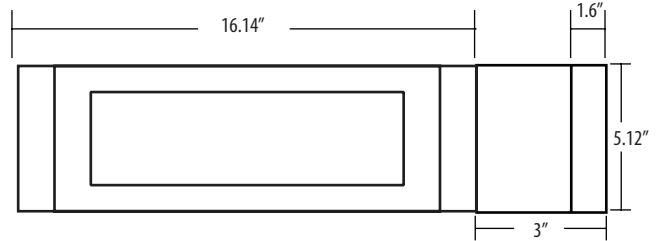
- Sleek, Contoured Style
- Clear Anti-glare LED Display
- Alternating Time and Date (self adjustable)

- 12/24 hr. Display Format
- Adjustable Brightness (dimming)
- 120 VAC or 24 VAC
- Maintenance Free

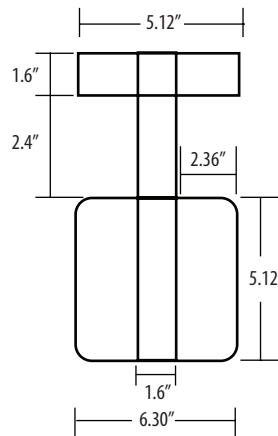
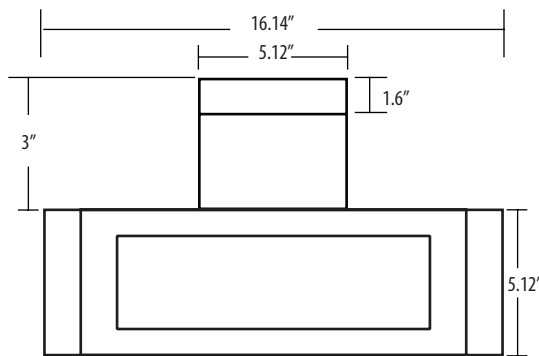
2.5" 6 Digit LED Display



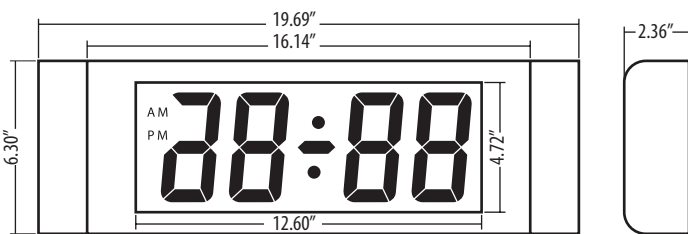
Side Mount



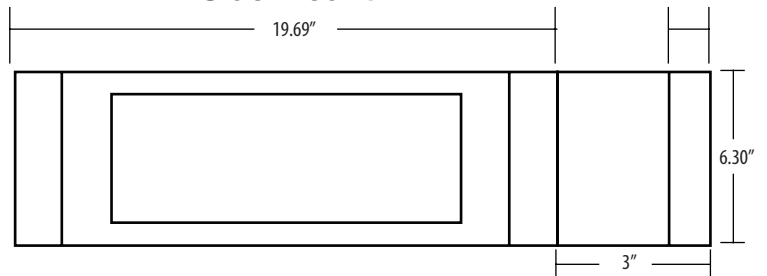
Ceiling Mount



4" 4 Digit LED Display



Side Mount



Ceiling Mount

