

Add a sophisticated touch to your facility. Brushed aluminum clocks offer an upscale, high tech look that will enhance any décor.



13" Brushed Aluminum
- Battery -
Part # 510016

SEE PART NUMBER
DATA SHEET FOR ALL OPTIONS
AVAILABLE

Features:

- Brushed Aluminum Cases
- Glass Lens
- Sophisticated Metallic Appearance
- Battery (2 D-Cell) or Electric 120/24 VAC
- Maintenance Free



16" Double Sided Ceiling Mount
- Battery -
Part # 520016



16" Brushed Aluminum
- Battery -
Part # 510006



16" Double Sided Wall Mount
- Battery -
Part # 520026

DIAL OPTIONS

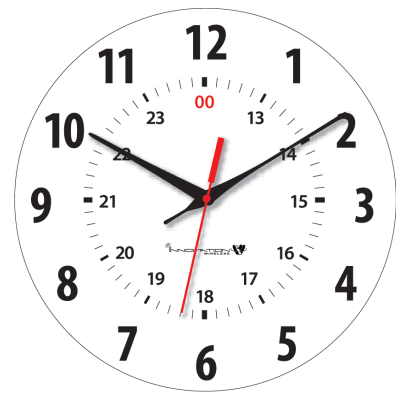
Additional Custom Logo Designs Available



Standard Arabic 12/60 **Part # SA60**



Classic Arabic **Part # CA00**



Standard Arabic 12/24 **Part # SA24**

13" Brushed Metal Clock Specifications

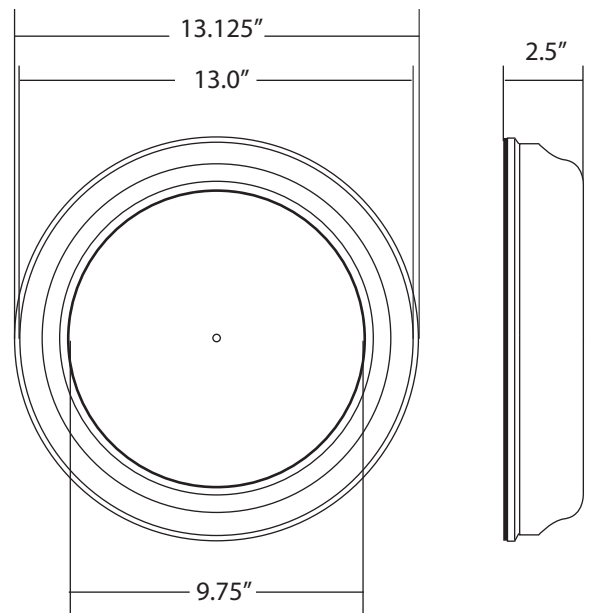
- Brushed Aluminum Cases
- Glass Lens
- Sophisticated Metallic Appearance
- Battery (2 D-Cell) or Electric 120/24 VAC
- Maintenance Free

Rear Case Diameter: 13.125"

Front Case Diameter: 13.0"

Dial Graphics Diameter: 9.75"

Edge Thickness: 2.5"



16" Brushed Metal Clock Specifications

- Brushed Aluminum Cases
- Glass Lens
- Sophisticated Metallic Appearance
- Battery (2 D-Cell) or Electric 120/24 VAC
- Maintenance Free

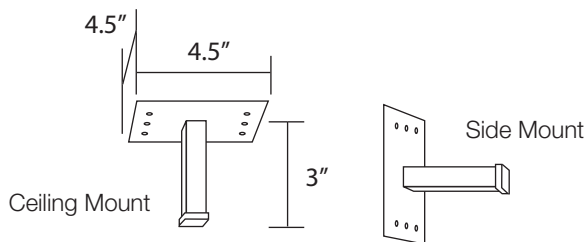
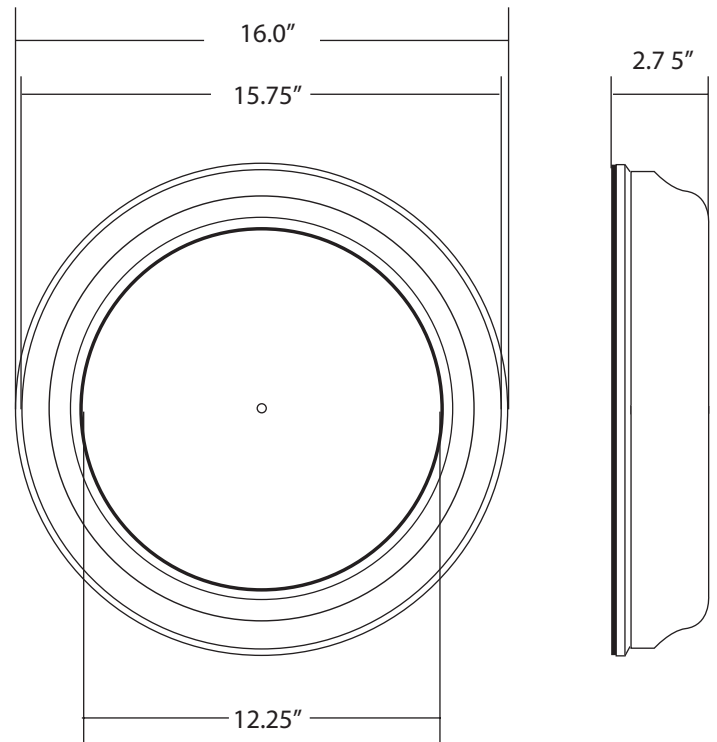
Rear Case Diameter: 16.0"

Front Case Diameter: 15.75"

Dial Graphics Diameter: 12.25"

Edge Thickness: 2.75"

Ceiling and Side Mount Dimensions: 3"H x 4.5"D



13" and 16" Rear View

