



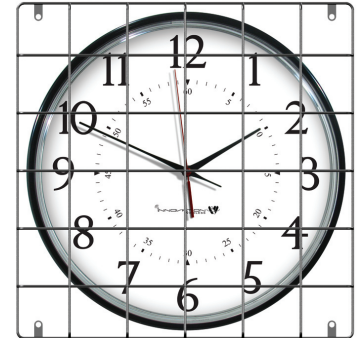
• Clock Guards

These sturdy, durable clock guards are the perfect solution for protection against theft or damage. Designed for use with both analog & digital clocks and easy to install.

- Analog Wire Guard - 16" x 16" **Part # 104001**
- Analog Wire Guard - 19" x 19" **Part # 104002**
- Digital Guard for 2.5" 6 Digit **Part # 104003**
- Digital Guard for 4" 4 Digit **Part # 104004**



Digital Wire Guard

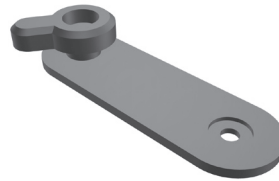


Analog Wire Guard

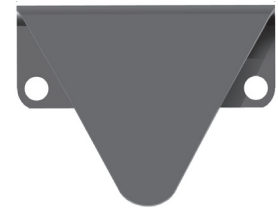
• Analog Clock Hanger Bracket
• Retrofit Bracket

Add security and protection to all wall mounted analog clocks.

- Hanger Bracket **Part # 105007**
- Hanger Bracket- Retrofit **Part # 105008**



Hanger Bracket



Retrofit Bracket

• Transmitter Shelf

This sturdy wall mounted metal shelf provides added security and stability

- Transmitter Shelf **Part # 105001**



Transmitter Shelf

• Transmitter Rack Mount Bracket

Easy attachment to transmitter for convenient installation into most technology rack systems

- Transmitter Bracket **Part # 105003**



Transmitter Rack Mount Bracket

• Battery Back-Up/Surge Protector

Provides back-up power protection for the **KRONOSync** transmitter against electrical outages

- Battery Backup/Surge Protector **Part # 105006**



Surge Protector

Analog/Digital Clock Guard Specifications

- Durable Silver plated steel (Mounting hardware included)
- 16" x 16" Sq. size, used with 13" analog clocks
- 19" x 19" Sq. size, used with 16" analog clocks
- 18" x 6.5" size, used with 2.5" digital clocks
- 21" x 7.5" size, used with 4" digital clocks

Dimensions:

13" Analog Clocks

16" H x 16" W x 4.5" D

16" Analog Clocks

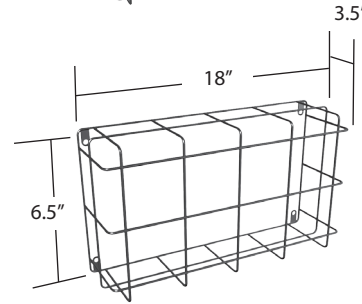
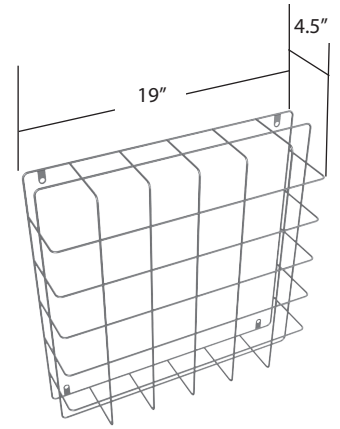
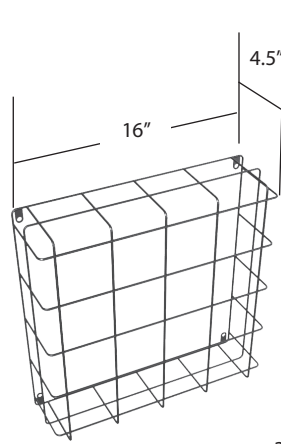
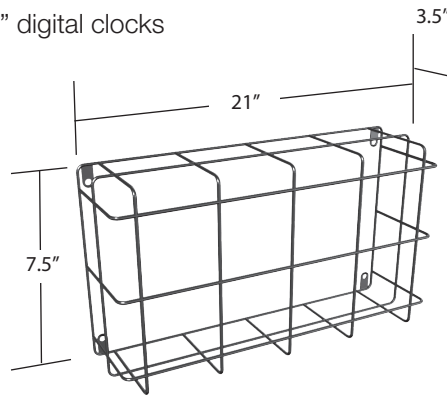
19" H x 19" W x 4.5" D

2.5" Digital Clocks

18" H x 6.5" W x 3.5" D

4" Digital Clocks

21" H x 7.5" W x 3.5" D



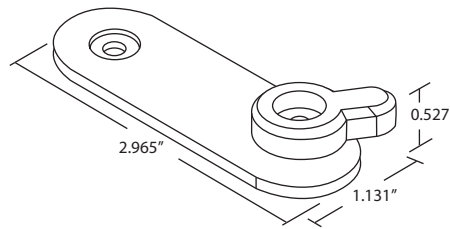
Wire Guards

Analog Clock Hanger Brackets

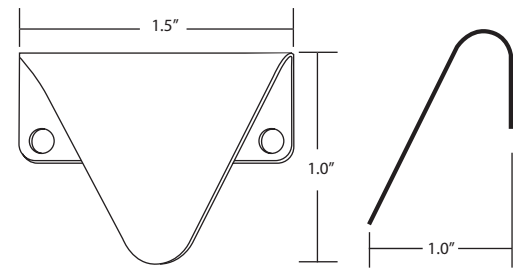
- Analog Clock Hanger Bracket (ABS Construction)
- Retrofit Bracket (Steel Construction)

Dimensions: 2.96" L x 1.13" W x 0.52" H

Dimensions: 1.0" L x 1.5" W x 1.0" H



Analog Clock Hanger Bracket

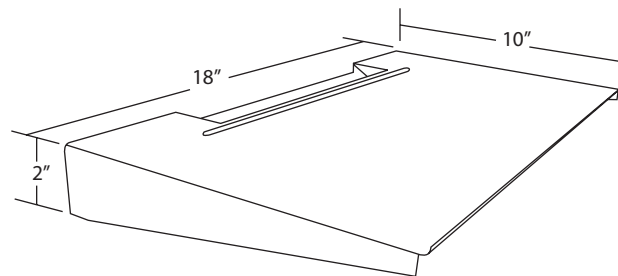


Retrofit Bracket

Transmitter Shelf

- Sturdy Steel Construction
- Durable Black Epoxy Finish

Dimensions: 18" L x 10" W x 2" H

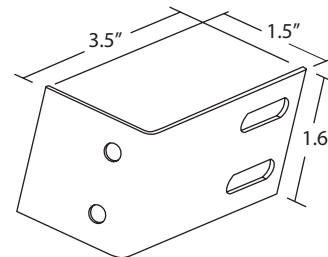


Transmitter Shelf

Transmitter Rack Mount Bracket

- Sturdy Steel Construction

Dimensions: 3.5" L x 1.5" D x 1.6" H



Transmitter Rack Mount Bracket

Battery Back-Up/Surge Protector

- Output (Volt Amps/Watts): 350/180
- Output (Voltage/Frequency): 120V-/60Hz
- Outlets (NEMA 5-15R): 6 (3 with UPS backup and surge protection, 3 with surge-only protection)

- 1 USB port
- Tel/DSL Protection: 1 line in, 1 line out

Dimensions: 3" H x 10.5" W x 5" D

Weight: 20lbs.