

Add decorative style within your facility. Solid wood clocks are the perfect look for your Executive/Administration offices and conference rooms. Offered in rich looking Mahogany, Light Walnut and complimented with Arabic or Roman dials.



13" Mahogany **Part # 410103**

AVAILABLE WOOD COLORS



Light Walnut



Mahogany

Features:

- Solid Hard Wood Construction
- Glass Lens
- Elegant Appearance
- Battery Operated (2 D-Cell)
- Maintenance Free



16" Mahogany **Part # 420103**



13" Side View



16" Light Walnut **Part # 420104**



13" Light Walnut **Part # 410104**

DIAL OPTIONS

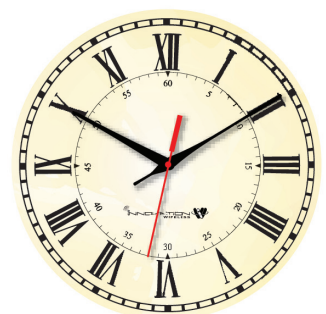
Additional Custom Logo Designs Available



Standard Arabic 12/60 **Part # SA60**



Antique Arabic 12/60 **Part # AA60**



Antique Roman 12/60 **Part # AR60**

13" Wood Clock Specifications

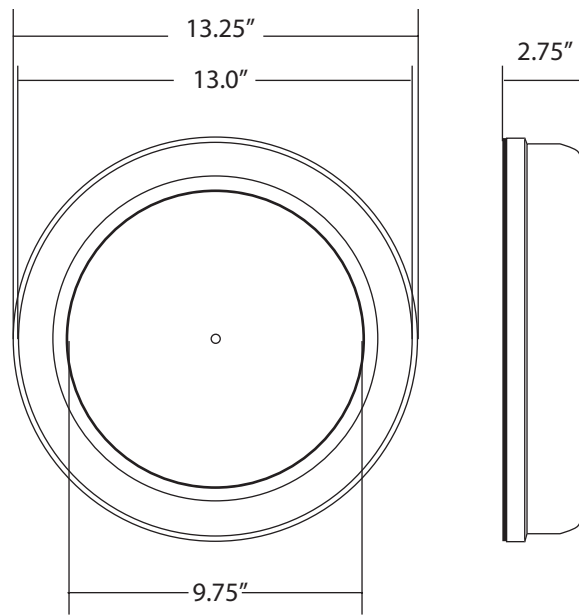
- Solid Hard Wood Construction
- Glass Lens
- Elegant Appearance
- Battery Operated (2 D-Cell)
- Maintenance Free

Rear Case Diameter: 13.25"

Front Case Diameter: 13.0"

Dial Graphics Diameter: 9.75"

Edge Thickness: 2.75"



16" Wood Clock Specifications

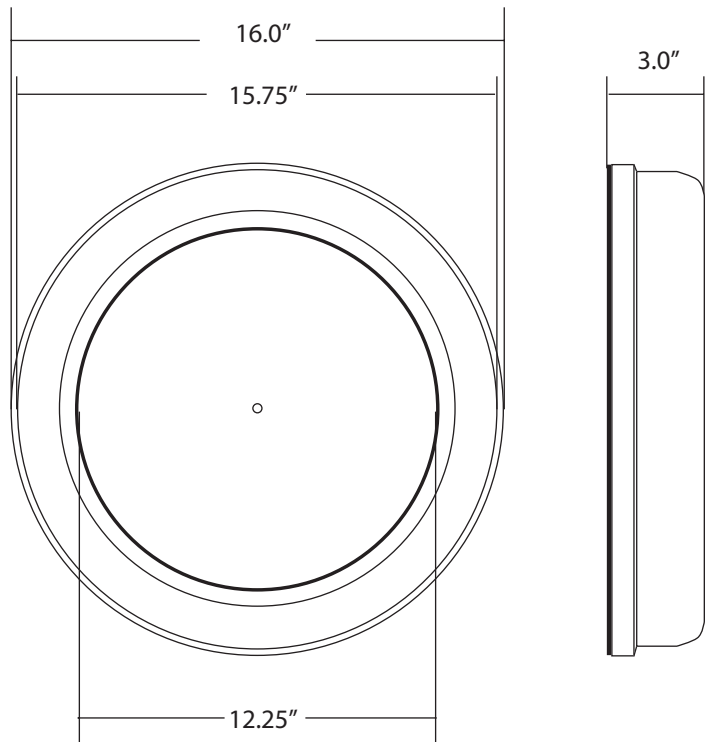
- Solid Hard Wood Construction
- Glass Lens
- Elegant Appearance
- Battery Operated (2 D-Cell)
- Maintenance Free

Rear Case Diameter: 16.0"

Front Case Diameter: 15.75"

Dial Graphics Diameter: 12.25"

Edge Thickness: 3.0"



13" and 16" Rear View

